

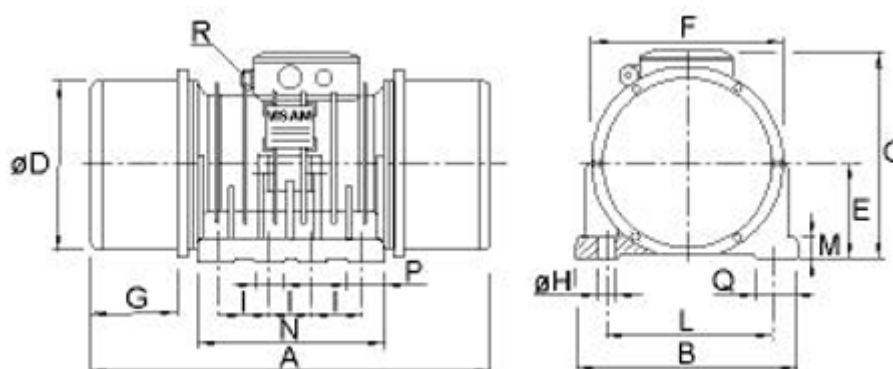
Data Sheet



Article number: 3101012280006200

Description: Vibrator motor SPV - 50 140.0 C 2800kgcm
1000 o/m 15650kg 19kW 3x400-690V 50hz

Measures



| | |
|----------|-----------------------|
| A = 1130 | L = 520 |
| B = 620 | M = 50 |
| C = 595 | N = 530 |
| d = 550 | Number H = 8 |
| E = 310 | P = 100 |
| G = 235 | Q = 120 |
| H = 45 | R = M40x1,5 + M20x1,5 |
| I = 140 | |